

DYNAMOOV TIPMATIC

Full extension slide 30 kg

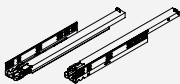


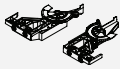
- Tipmatic full extension slide for handle-free fronts
- Tipmatic ejector unit integrated into the slide
- Excellent running characteristics
- Fully synchronised slide technology
- Integrated height adjustment, tool-free +3.5 mm
- Integrated front gap adjustment +1.5 mm
- The Tipmatic unit will not suffer damage when the drawer is pulled open in the conventional way
- Pressing within the central third of the front produces optimum opening action

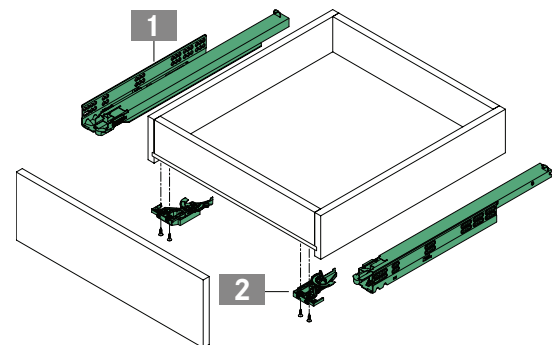
Packaging unit (PU):

- 204 = 5 units in a cardboard box
- 210 = 15 units in cardboard box
- 211 = 20 units in cardboard box
- 233 = 200 units in a cardboard box
- 517 = 50 units in PE in a cardboard box

ORDER INFORMATION

1		Dynamooov full extension slide Tipmatic Set: One left, one right			
NL	30 kg				
	Art.-no.	PU			
270	F130101114	204	211		
300	F130101115	204	211		
350	F130101117	204	211		
400	F130101119	204	211		
450	F130101121	204	210		
500	F130101123	204	210		
550	F130101125	204	210		

2		Front locking device (1D) Set: One left, one right			
	Art.-no.	PU			
	F134101220	517	233		



PAGE REFERENCES

Pull-out shelf	56	Assembly aids	60		
Technical information	58	Packaging code	75		

PLANNING DIMENSIONS

All dimensions in millimetres

Installation dimensions	Drawer	NL	SKL	MET
		270	260	273
		300	290	303
		350	340	353
		400	390	403
		450	440	453
		500	490	503
		550	540	553

Inset drawer	
SKL = NL - 10 ^{+0.5}	MET = NL + 30

Locking device fixing position	Back panel hole

Fixing positions for full extension drawer

30 kg
 Euro screw Ø 6.3 x 14 mm
 Chipboard screw Ø 4 x 16 mm
 Screw head Ø 7 mm

LEGEND

HV	Height adjustment	MET	Minimum installation depth
KV	Front edge of cabinet	NL	Nominal length
LWK	Inside cabinet width	SKL	Length of drawer
LWS	Internal drawer width		